

## Examples of fruits and vegetables to use.

Celery, carrots, cabbage, wheatgrass, spinach, broccoli, parsley, kale, tomatoes, pears, pineapple, watermelon, strawberries, apples, cantaloupe, oranges, and grapes.

## How to clean and store

- Remove the Handle
- Release the base lock by turning the knob in an anti-clockwise direction. Use the combination plunger/lever tool to assist you if necessary.
- Remove the main body by sliding it forward. Loosen the front cap by turning in a **clockwise** direction. If necessary use the provided wrench to assist in doing this. Wipe the base off with a damp sponge or cloth.
- Rinse all other parts in soapy warm water using a sponge, cloth, or soft brush. Take care not to misplace the nylon washer or the small screw cap. Two extra washers are provided with the Healthyjuicer.
- Let all parts dry and store in a safe place.

## Tips on using the juicer

If the end cap has become difficult to loosen, leave the main body on the base and slightly loosen the end cap with the provided wrench before disassembling for cleaning.

When juicing wheatgrass make sure the small cap is in place. Cut wheatgrass about 1" from the base of the soil in small clumps. Insert small amounts of wheatgrass at a time into the hopper, then turn the handle. The wheatgrass blades should be pulled into the auger automatically. Use the included pusher to assist if necessary.

If the base seems to be stuck to the surface, turn the base knob slightly toward you once or twice to help loosen the rubber from the surface.

## Important

Never immerse the Healthyjuicer in hot water for a prolonged period of time.

The base of the healthy juicer should not be immersed in water and should just be wiped clean with a damp cloth or sponge

When juicing wheatgrass and vegetables that are very firm, it may be necessary to slightly tighten the end cap with the included wrench.

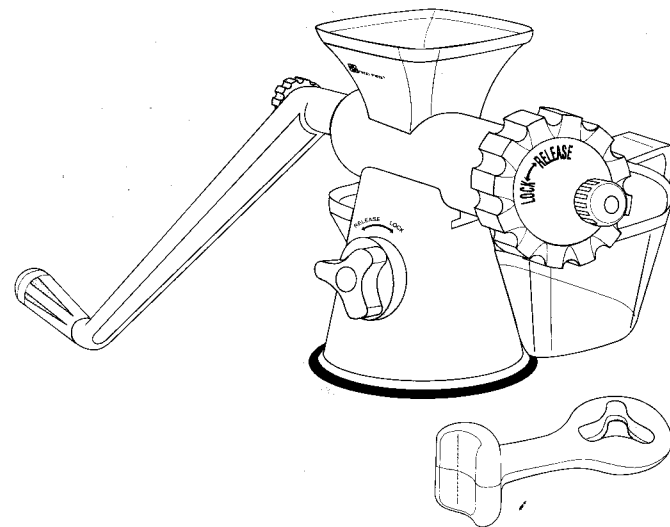
Always feed small amounts of material at a time into the juicer.

# Healthyjuicer™

Wheatgrass,  
Vegetable and  
fruit juicer

## Operating instructions

- *Juices all types of Fruits and Vegetables*
- *Unique Design with Power Locking Base*
- *Easy to Operate, Clean & Store*



## Important!

Please read these operating instructions before using the unit and save for future reference.

09/03

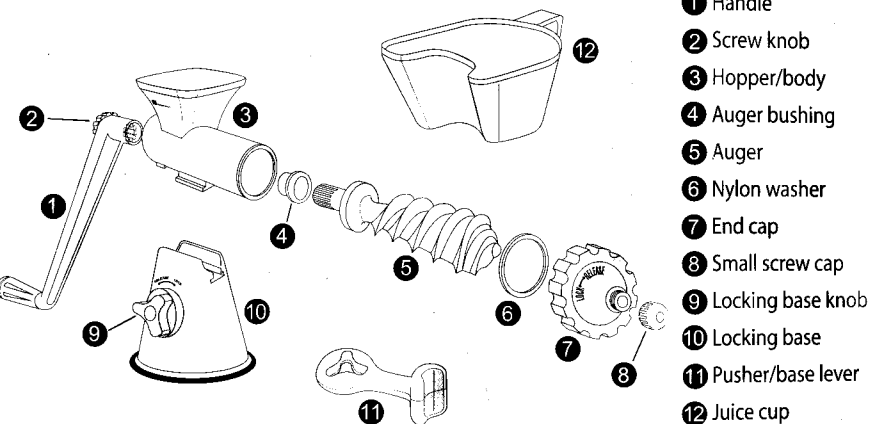
Made in China

## Introduction

The Healthyjuicer is made from high quality materials. It is durable and easy to assemble and clean. It also complies with the EEC 90/128 Migration test and the USA FDA standard.

The specially designed auger crushes and squeezes fruits and vegetables more efficiently than other juicers. Excess waste is neatly expelled from the front end cap.

## Parts of the Healthyjuicer



## Assembly and Operating Instructions

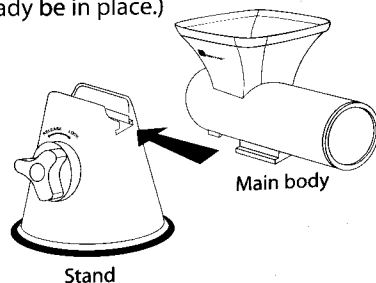
- Assemble parts 4 through 8 into the main body of the juicer 3 (note: the auger bushing may already be in place.)
- Slide the main body into the base stand 10

### Important

- Make sure the nylon washer 6 is in place otherwise damage may be caused to the juicer.
- The Locking knob must be disengaged before the main body can be attached or removed.

\*Please note the end cap 7 tightens in a **counter clockwise** direction. The small screw cap 8 tightens in a clockwise direction.

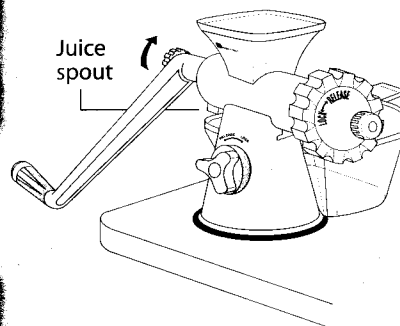
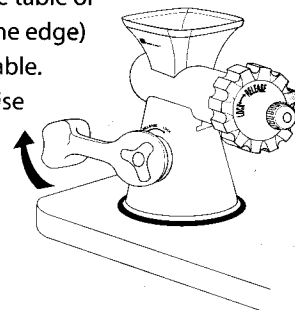
Tip: The small screw cap is used for applying more pressure in the juicing process (for leafy and fibrous vegetables such as parsley and wheatgrass). It is not necessary to use it for most other fruits and vegetables.



- Make sure the surface area is clean and dry.
- Place the Healthyjuicer close to the edge of the table or countertop (approximately 1/2" or 2cm from the edge) with the auger shaft pointing away from the table.
- Lock the base by turning the knob in a clockwise direction. Use the pusher/lever if necessary.

### Important

The table surface should be smooth and non-porous such as formica, glass, ceramic tile, stainless steel or plastic.

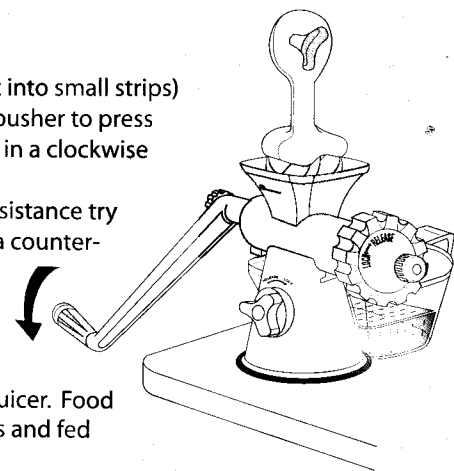


- Place the handle over the auger shaft and hand tighten the screw knob.
- Position the juice cup so that the extended portion is under the juice spout, which is located on the main body just under the shaft.  
\*You may also want to place a bowl (not included) under the end cap to collect any excess waste material.

- Place fruits or vegetables (cut into small strips) into the hopper and use the pusher to press down as the handle is turned in a clockwise direction.
- If you encounter too much resistance try briefly turning the handle in a counter-clockwise direction.

### Important

- Do not overload the Healthyjuicer. Food should be cut into small strips and fed slowly into the hopper.
- The Healthyjuicer also includes a handy wrench for tightening and loosening the end cap.



### Caution

Never use your hand or fingers to push food into the hopper while the handle is being turned.

